



Data Splitter Custom Plugin
for
Hierarchical XML Structure
(An alternative to Record Queue Producer)

Contents

BACKGROUND:..... 3
PRE-REQUISITES: 3
"CP_DATASPLITTER" DETAILS:..... 3

BACKGROUND:

Record Queue Producer does not work for XML files with hierarchical structured schemas such as Adv. Database, Adv. Positional, Adv. Text etc.

Use the **CP_DataSplitter** custom plugin that is introduced in Adeptia Suite 5.3 SP1 to split the data for hierarchical structured XML, as a work around to resolve this issue. This plug-in splits both flat and hierarchical XML files into records for record by record processing.

PRE-REQUISITES:

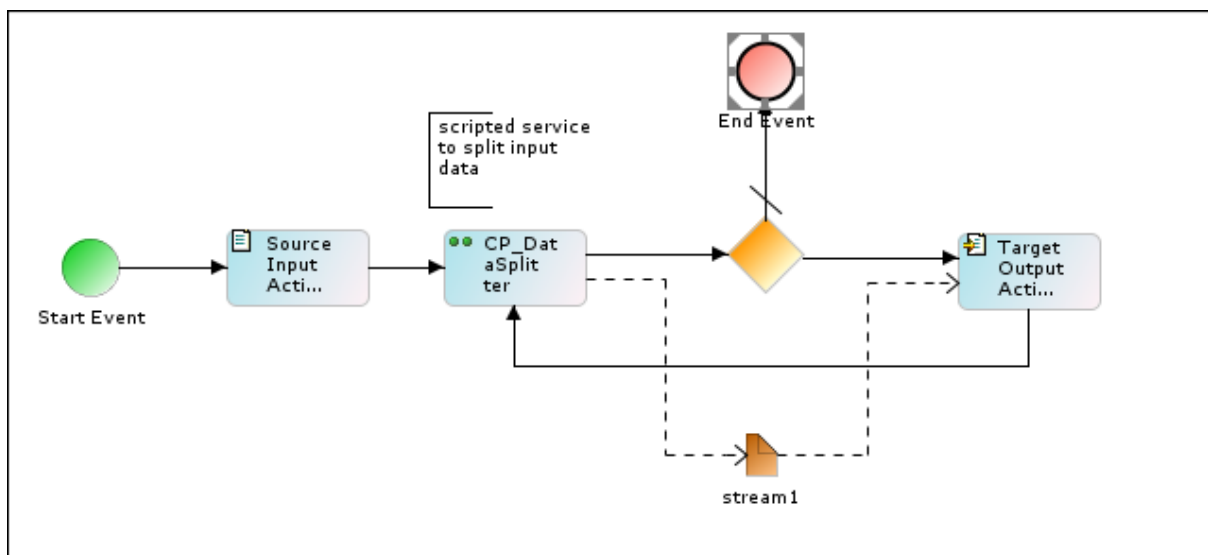
Adeptia Suite 5.3 SP1 Server.

"CP_DATA SPLITTER" DETAILS:

Input: Accepts XML input stream. Any Schema, Mapping or any other output from activities such as Advanced Database Source, Database Source, XML File Source etc, can be used as input to this plug-in.

Output:

Use the multiple stream property in the custom plugin activity to pass the output stream to multiple activities. For more information, refer to the following process flow design.



Configurable Option in Custom Plugin "CP_DataSplitter": Pass the value for sourceXPath and splitSize in custom plugin activity as follows:-

#	Name	Type	Default Value
1	<input type="text" value="sourceXPath"/>	Plain Text ▼	<input type="text" value="enter source XPath"/>
2	<input type="text" value="splitSize"/>	Plain Text ▼	<input type="text" value="enter split size"/>

The variable **sourceXPath** takes the **xpath** of the element of the source file that will be used for splitting the data. For example “Root/Record”.

splitSize takes an integer value. This value denotes the number of records to split at a time. For example, if it is set to 2, then two records will be split at a time.

The Java Condition that is to be passed in the Gateway used in the Process Flow, is as follows:

```
Boolean processRecord = (Boolean)context.get("processRecord");
    if(processRecord == null)
        return false;
    else
        return processRecord;
```